

**X-TRAY®**

# **AXELENT WIRE TRAY**

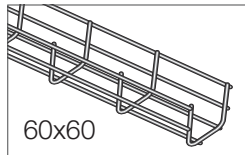
Mounting instructions X-Tray® for X-Guard



# OVERVIEW X-TRAY®

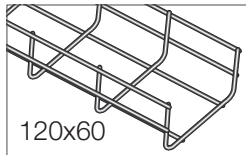
(All in zink plated)

## Standard Trays 60



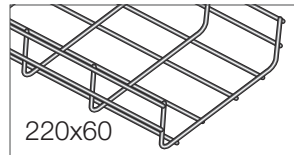
60x60

0101



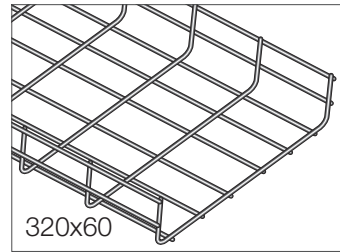
120x60

0111



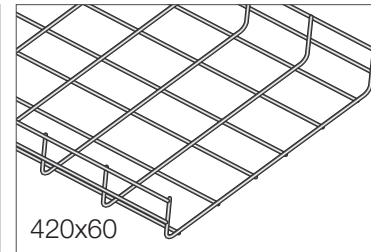
220x60

0121



320x60

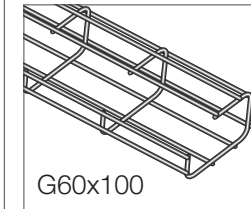
0131



420x60

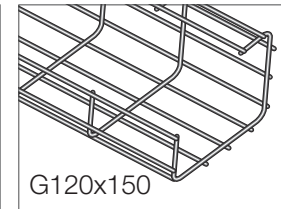
0141

## G-Trays



G60x100

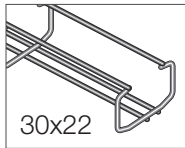
1121



G120x150

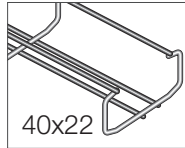
1122

## Mini Trays



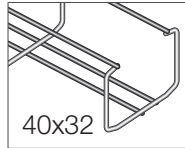
30x22

1152



40x22

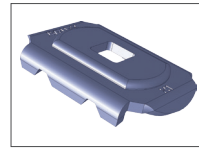
1153



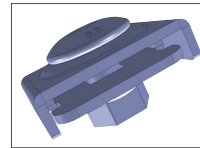
40x32

1154

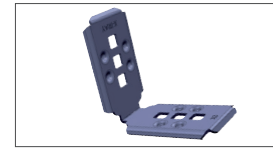
## Fittings



X1 Fitting  
2101



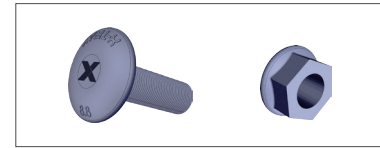
X2 Fitting  
2102



X3 Angled fitting  
2103



X4 Fitting  
2104



X61 Bolt  
2161

X62 Flange nut  
2162

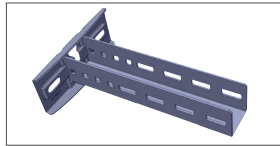
## Brackets



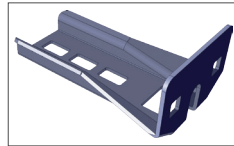
X10 Bracket  
2110-1



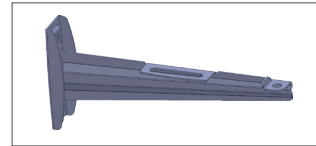
X10 Mini bracket  
2110-2



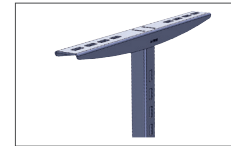
X11 Pendant/T  
2111-240



X14 Pendant/L  
2114-XXX\*



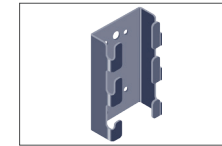
X15 Bracket  
2115-XXX\*



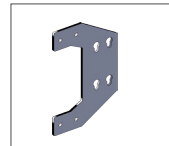
X16 Floor support  
2116



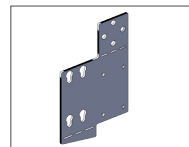
Bracket AX12 90°  
7100-015



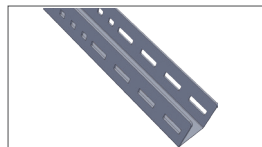
Bracket AX11 with  
pegs 7100-014



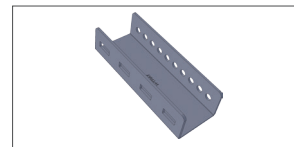
Corner bracket  
7100-065



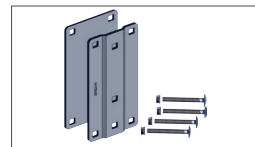
Top corner bracket  
7100-066



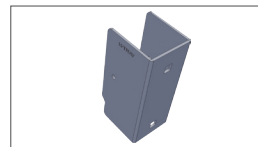
U-profile  
01-2112-240



Bracket holder aluminium  
rail 7100-037



Adjustable post holder  
7100-060



Bracket holder door  
7100-067 / 7100-068

## Verktyg

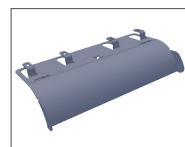


X75 Bolt cutter  
2575

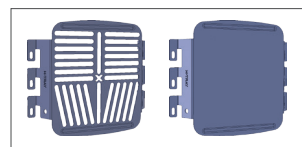


X76 Spanner 13 mm  
2576

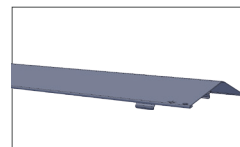
## Tillbehör



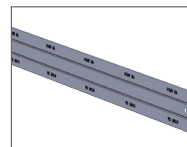
X60 Radius  
limiter  
2160-XXX\*



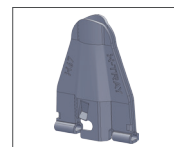
X63 Accessories holder  
2163-1 / 2163-2



X65 X-Tray cover  
2265-XXX\*



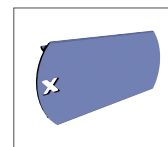
X66 X-Tray  
divider 45 mm  
2266-45



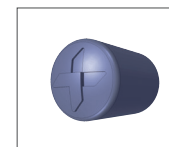
X67 X-Tray  
divider clamp  
2267



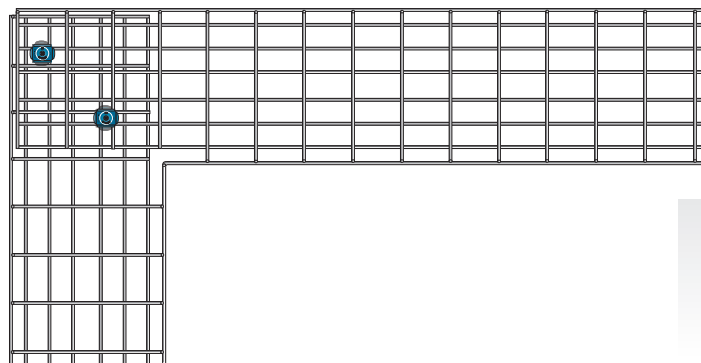
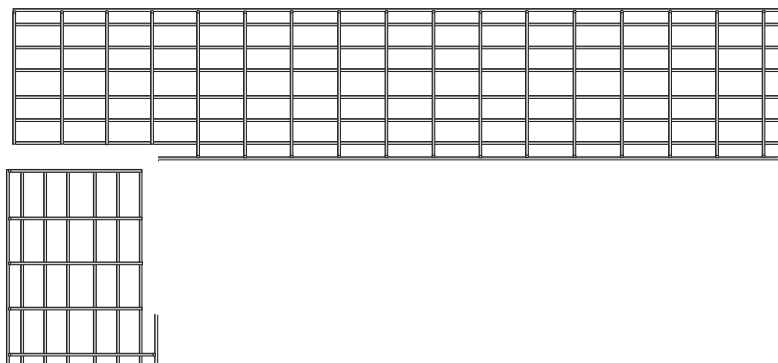
X68 Earth  
connection clamp  
2568



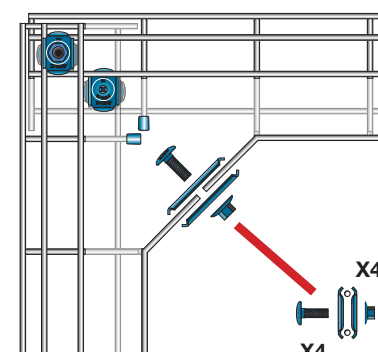
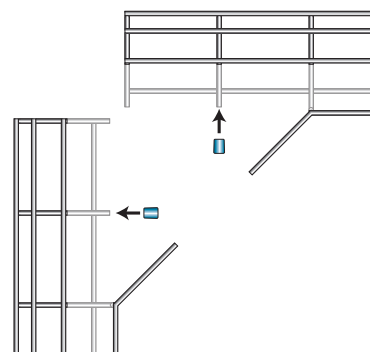
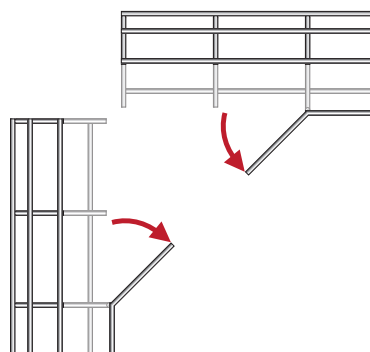
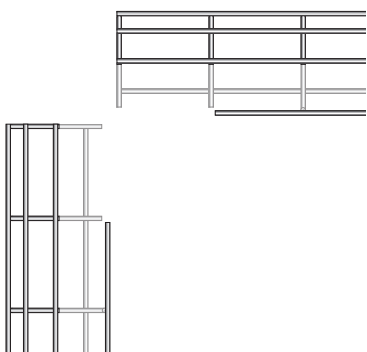
X70 Marking  
clip  
2570-0X



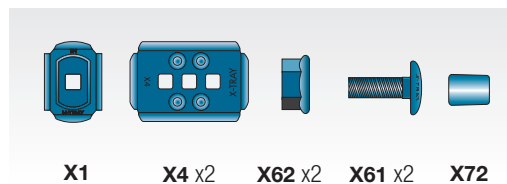
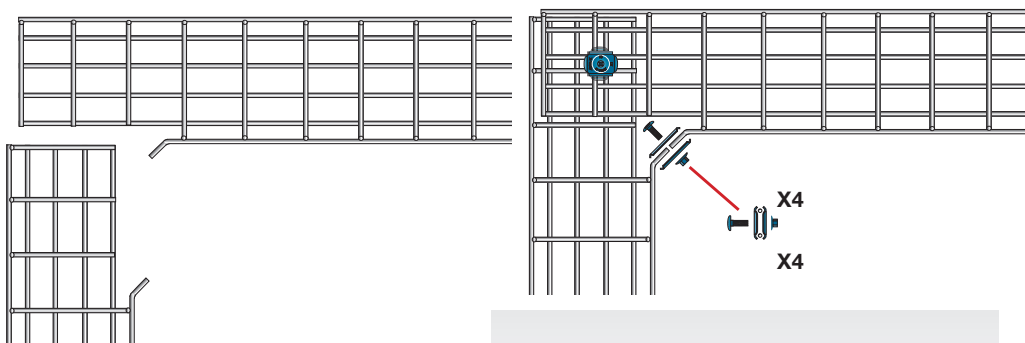
X72 Safety cap  
2572-X

**A**

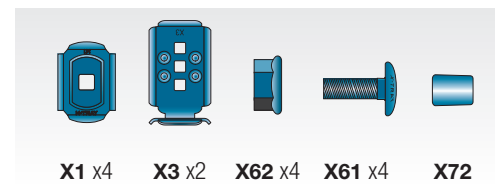
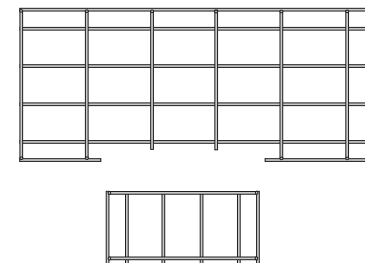
**X1** x4   **X62** x2   **X61** x2   **X72**

**B**

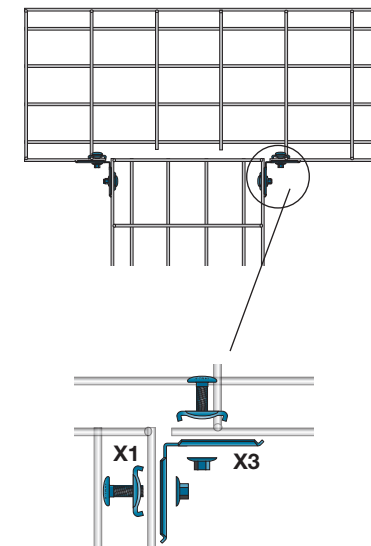
**X1** x4   **X4** x2   **X62** x3   **X61** x3   **X72** x2

**C**

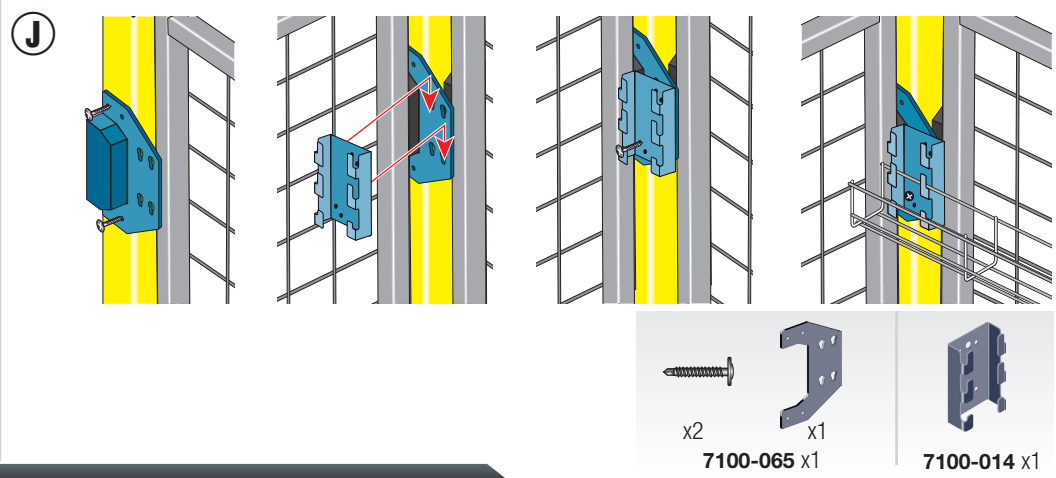
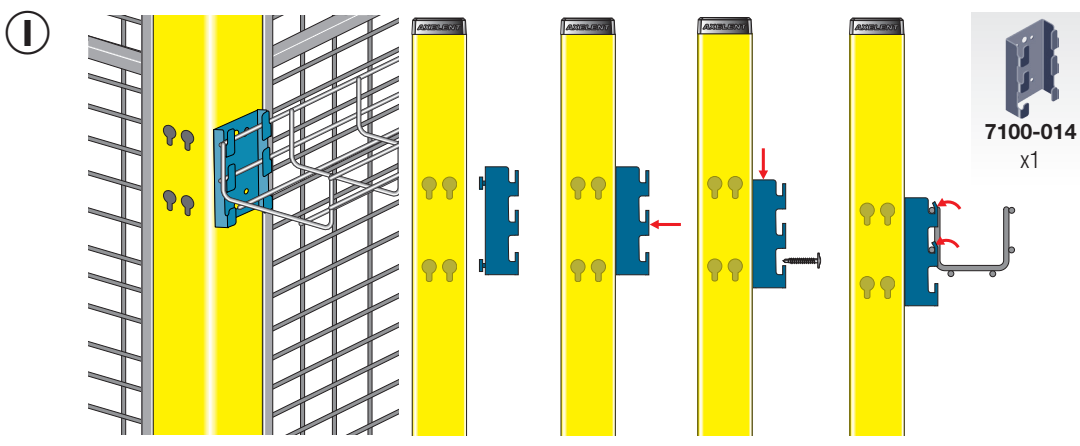
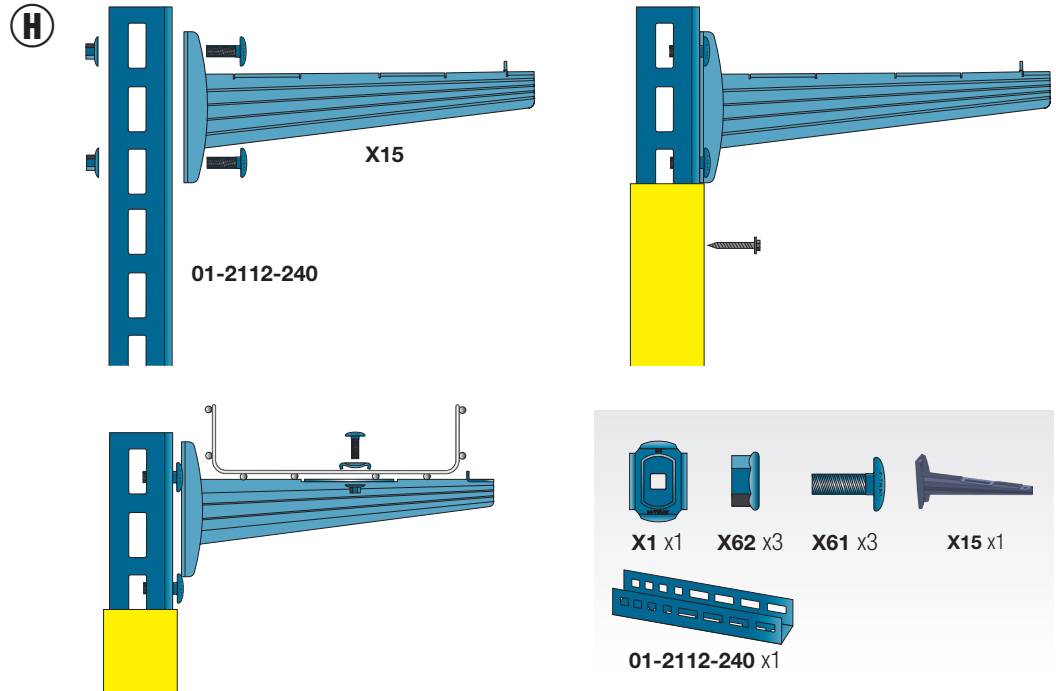
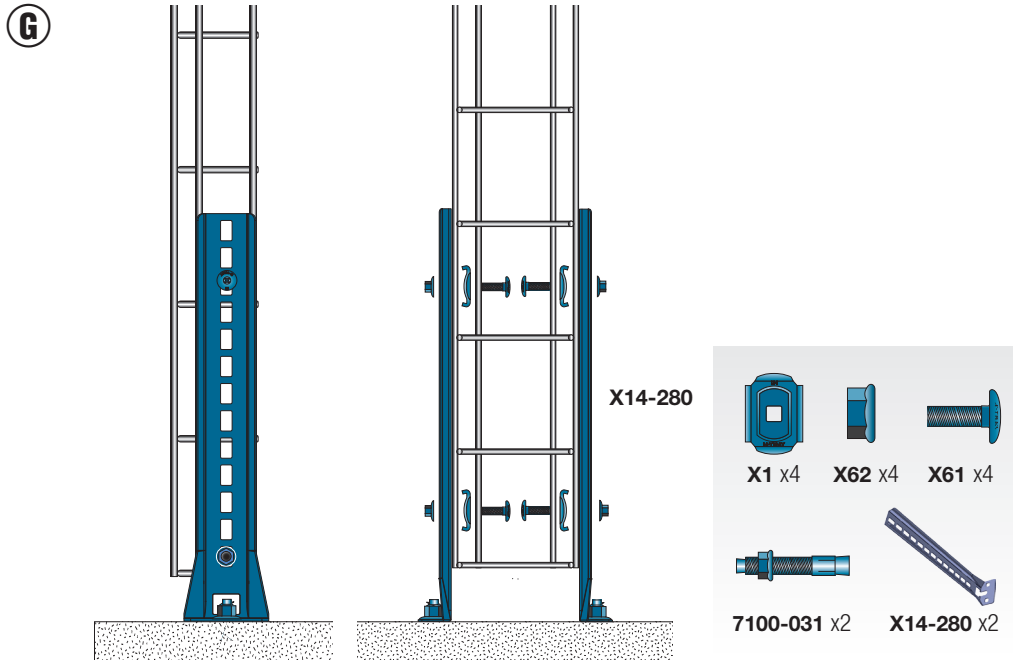
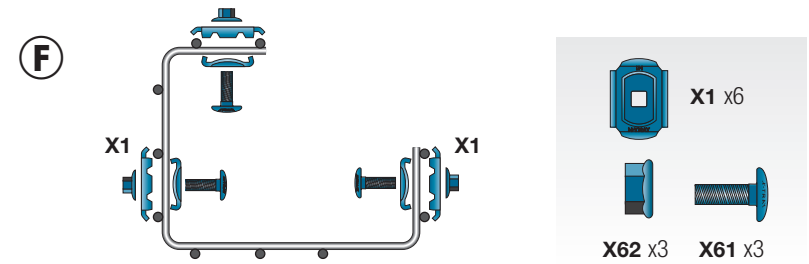
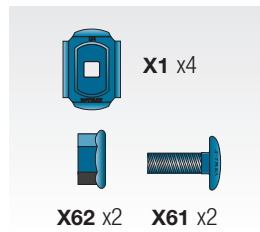
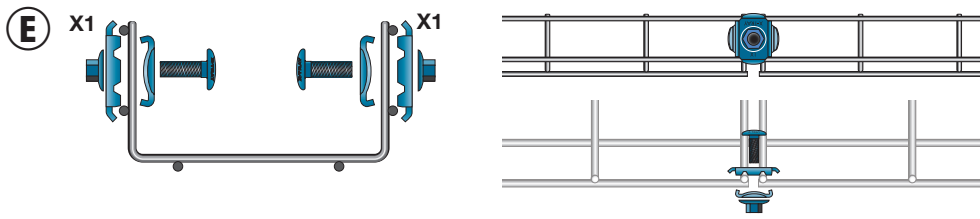
**X1**   **X4** x2   **X62** x2   **X61** x2   **X72**

**D**

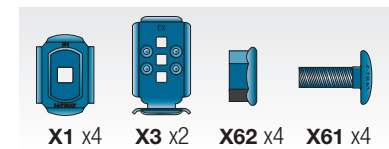
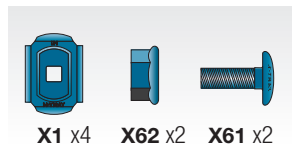
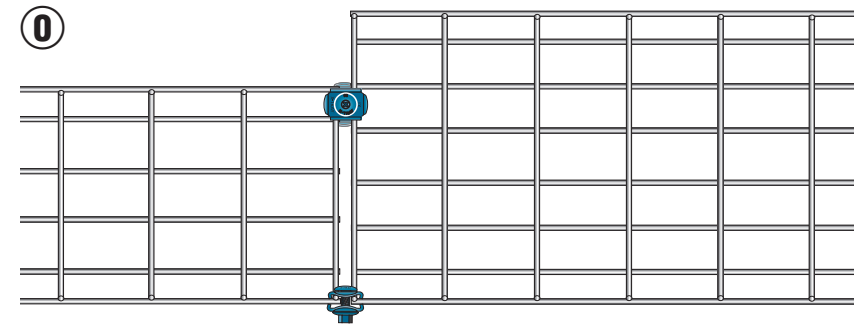
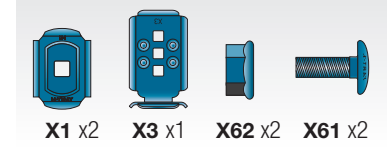
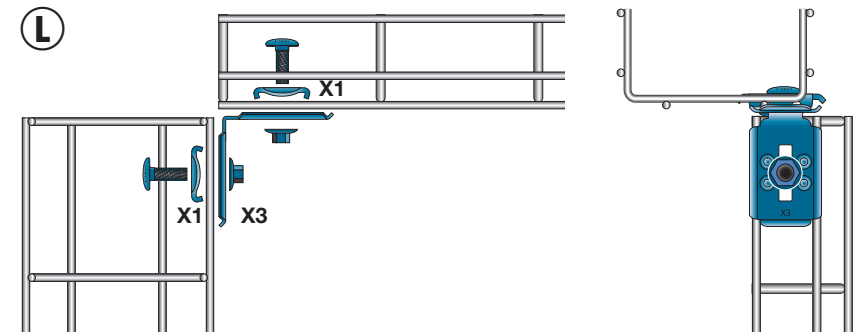
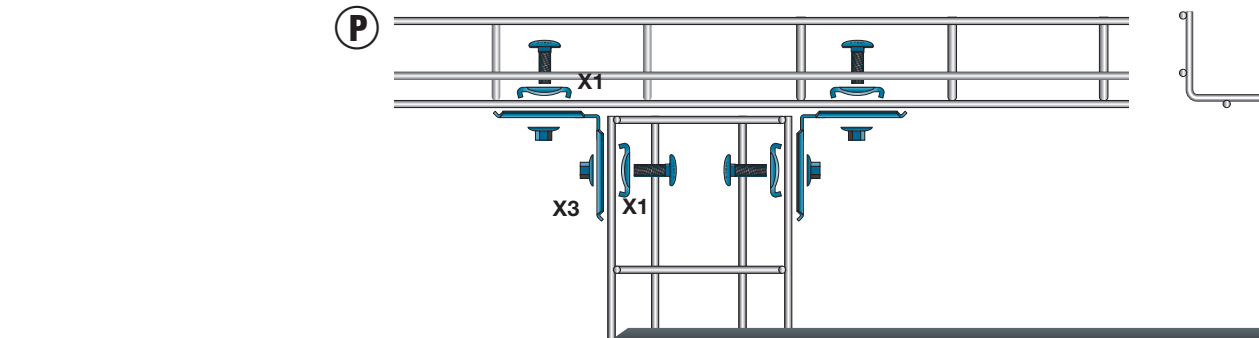
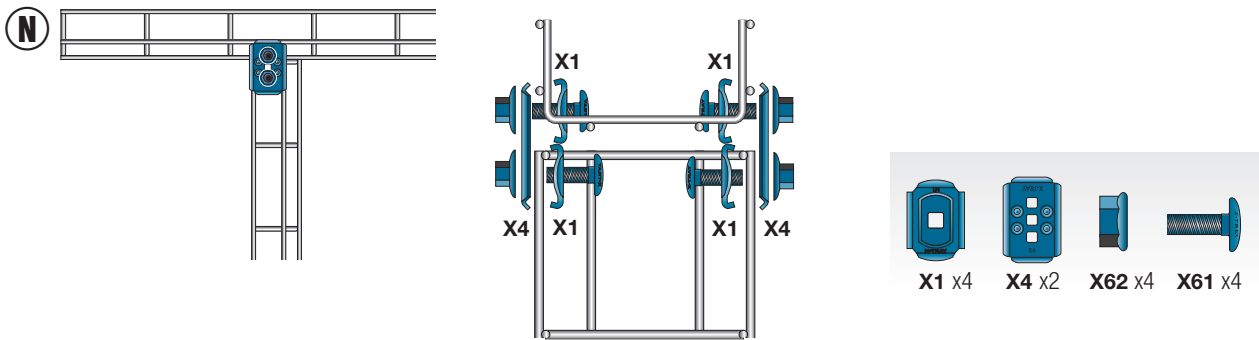
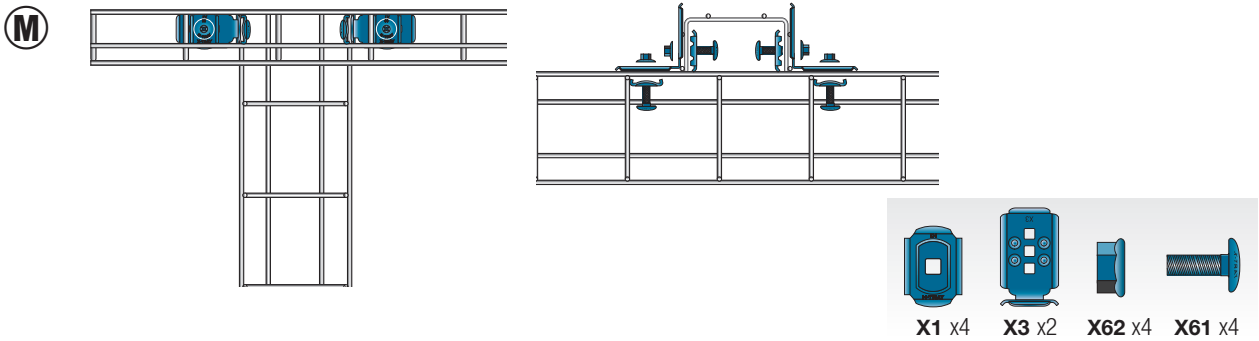
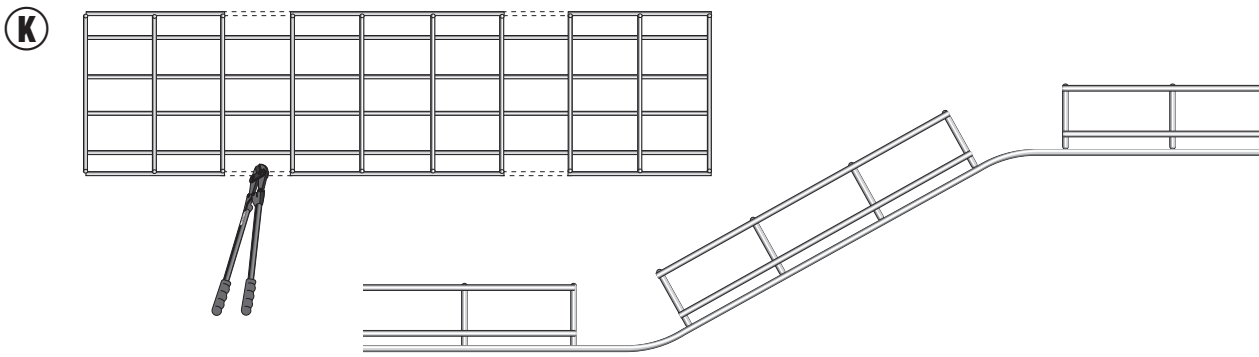
**X1** x4   **X3** x2   **X62** x4   **X61** x4   **X72**

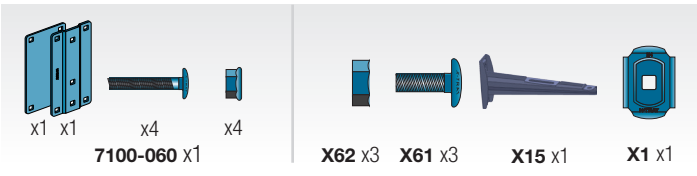
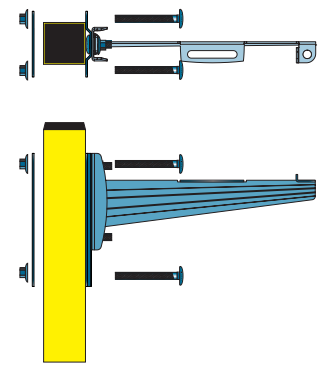
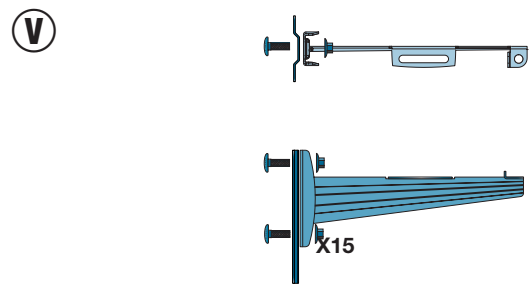
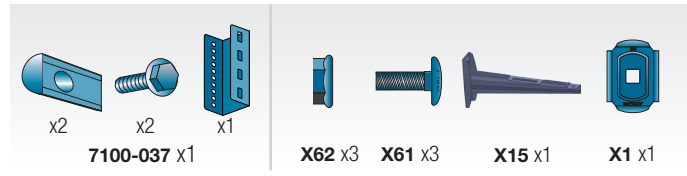
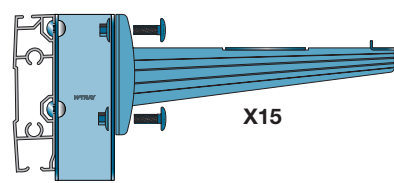
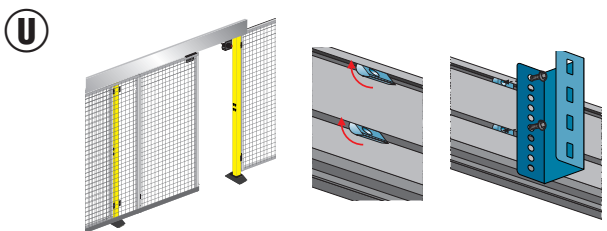
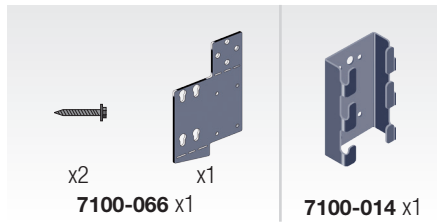
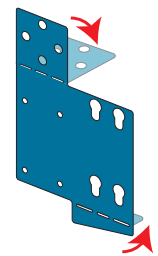
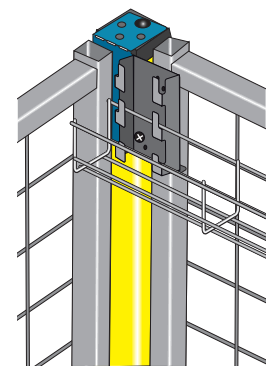
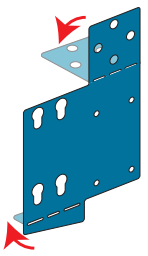
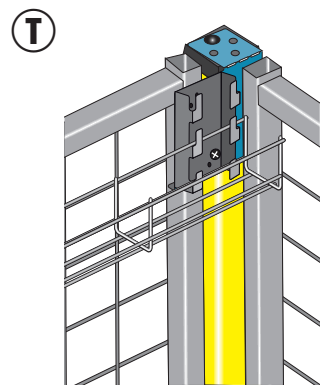
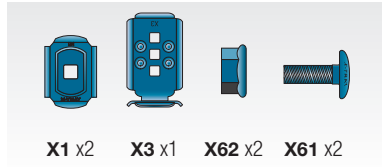
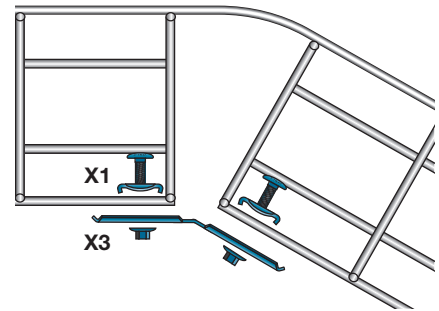
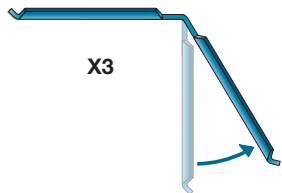
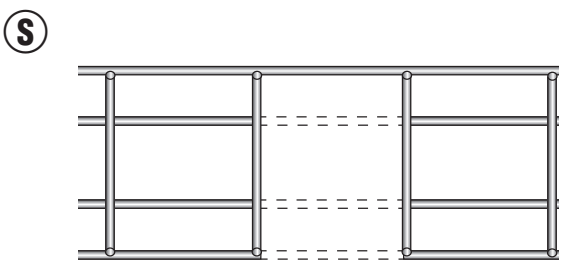
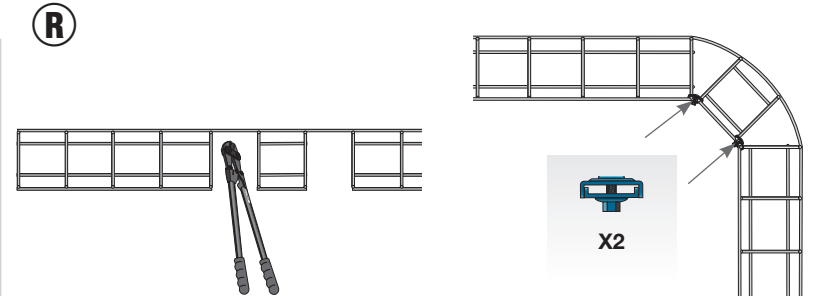
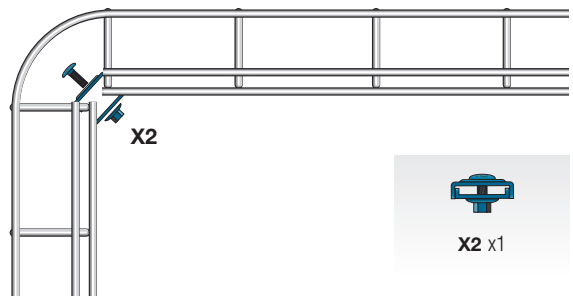
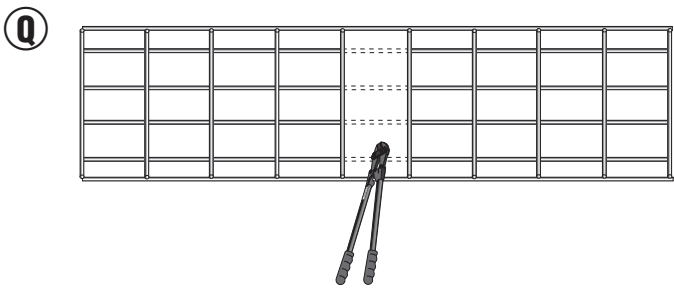


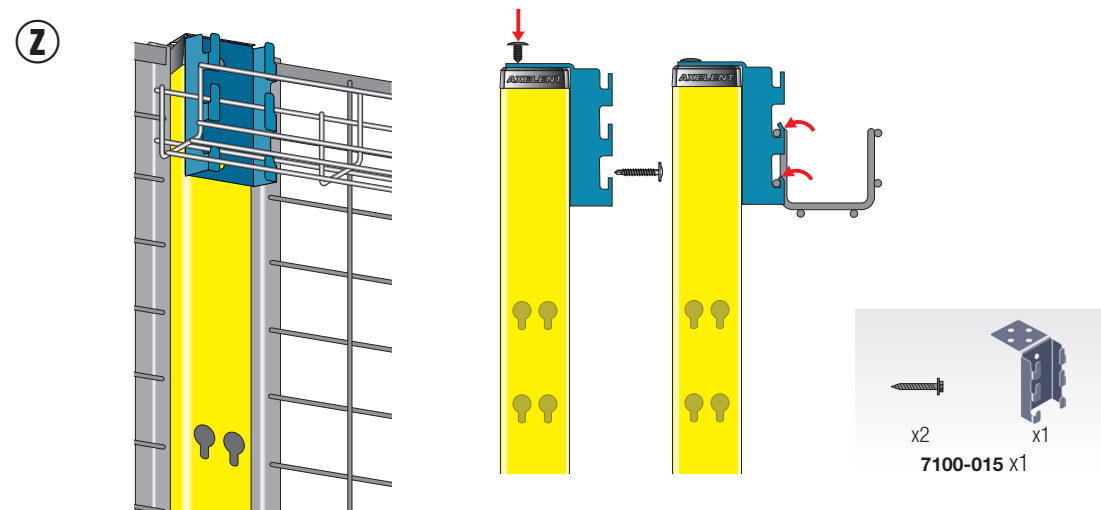
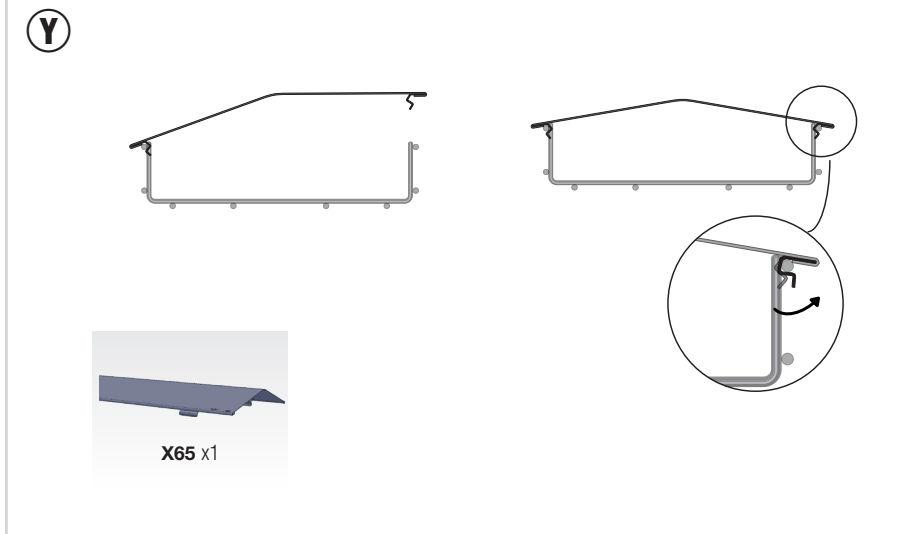
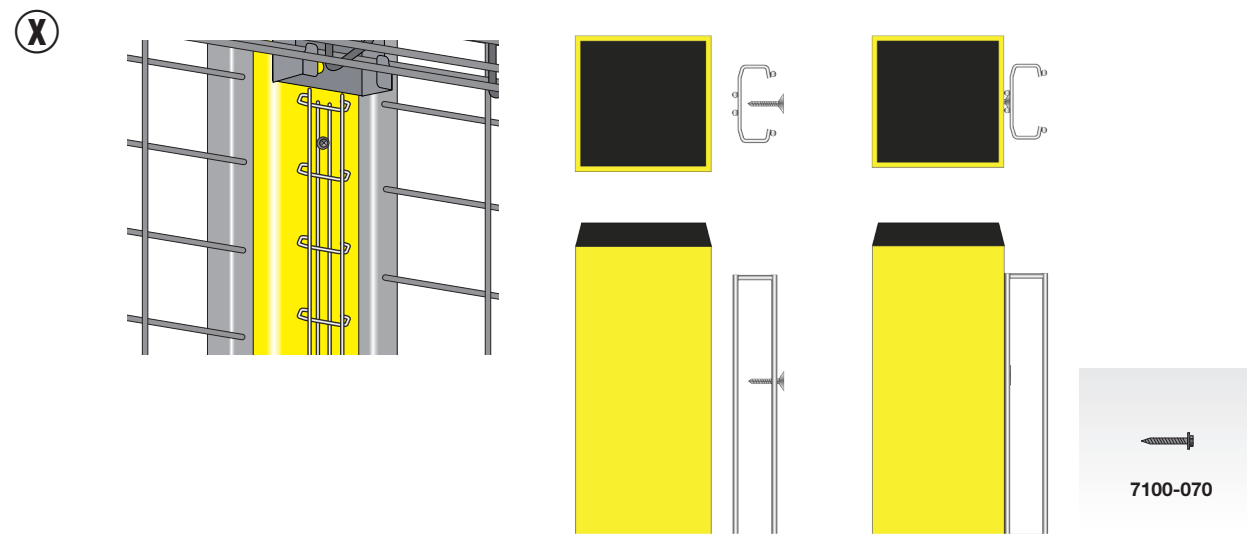
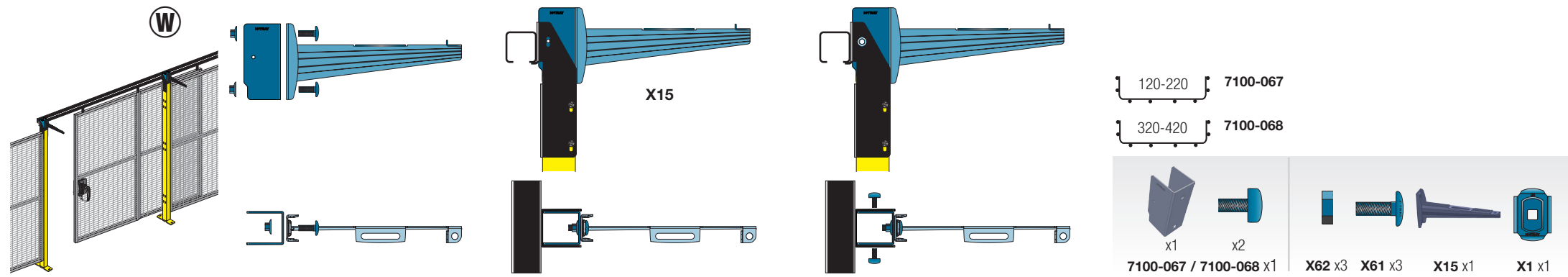
\* For more info about cutting the wire tray, see our technical manual.

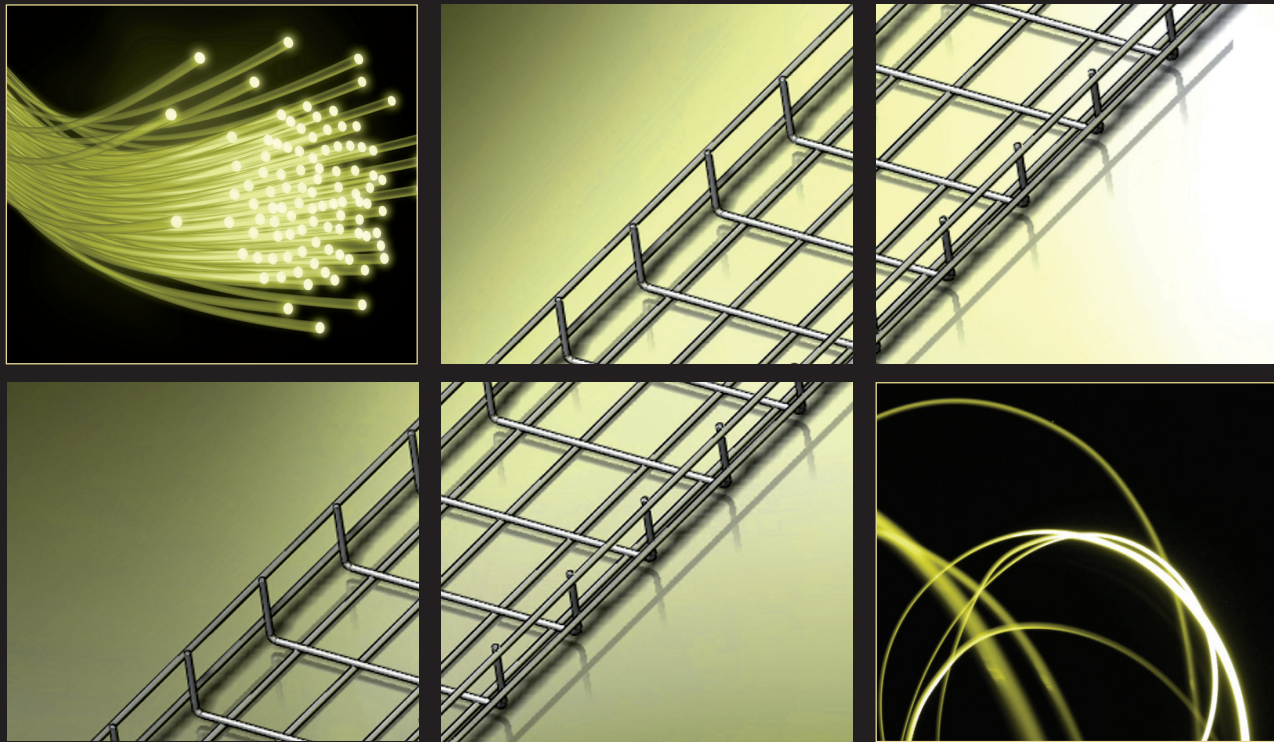












## AXELENT WIRE TRAY AB

Axelent AB is a leading and rapidly growing company that produces and sells mesh panel systems for machine guarding and partitioning within industry, warehousing and property protection. Axelent AB also embraces business area Axelent Safety, which offers complete machine safety solutions. The Axelent Group also includes Axelent Wire Tray AB (cable trays), Axelent Software (software) and Axelent Engineering AB (automation solutions). Axelent's head office is in Hillerstorp, Sweden, along with product development, production, storage and packaging. Axelent has sales offices in over 50 countries and the products are sold worldwide.



### AXELENT WIRE TRAY AB

Box 1 · Kävsjövägen 17

SE-330 33 Hillerstorp

Direct: +46 (0)370 37 32 58

Tel: +46 (0)370 37 37 30

E-mail: [sales@axelentwt.com](mailto:sales@axelentwt.com)

Internet: [www.axelentwt.se](http://www.axelentwt.se)